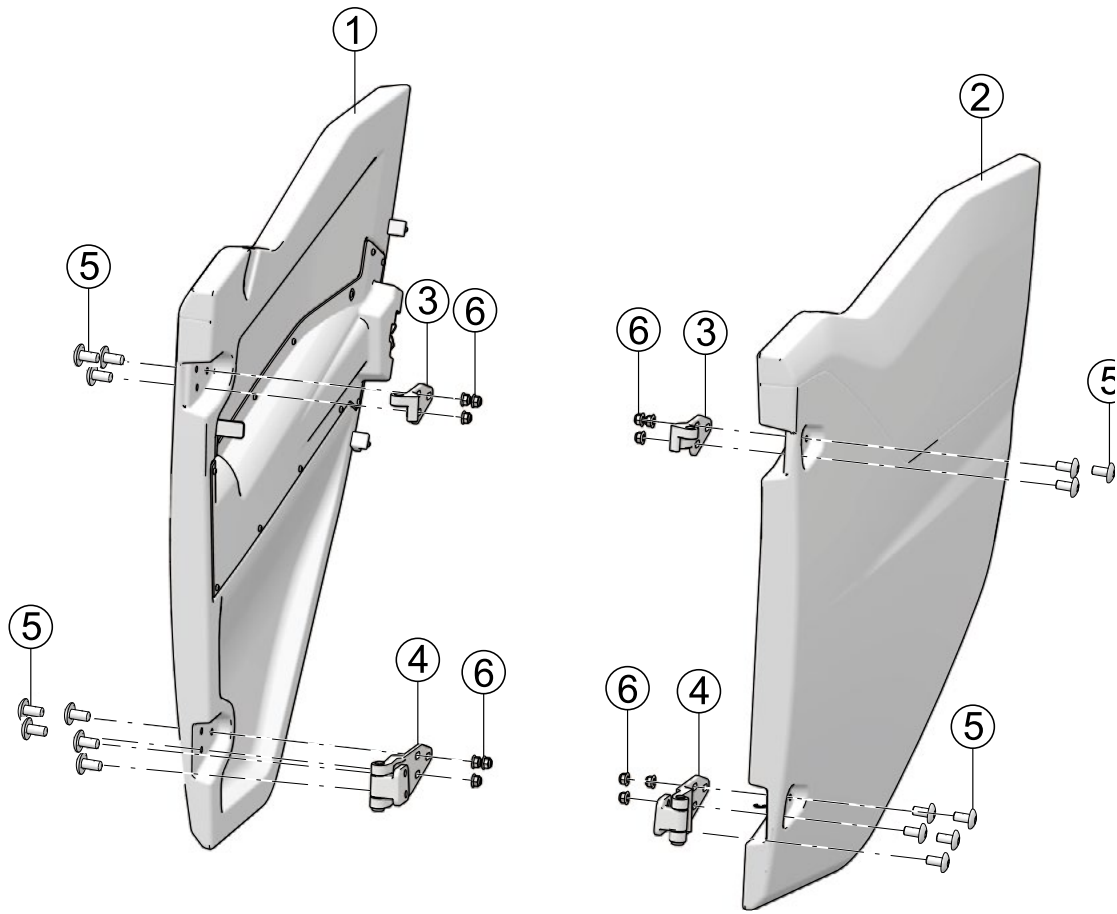


# HALF DOOR INSTALLATION

## LEFT AND RIGHT HALF DOOR ASSEMBLY



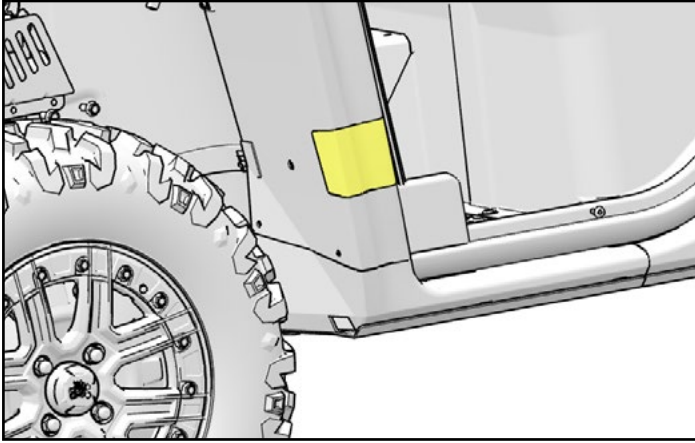
NO.	PART NAME	PART NUMBER	QUANTITY	APPLICABLE MODELS
1	Right half door	U01H18200001	1	UTV
2	Left half door	U01H18100001	1	UTV
3	Upper hinge (left)	U01C40301001	1	UTV
4	Upper hinge (right)	U01C40601001	1	UTV
3	Lower hinge (left)	U01C40302001	1	UTV
4	Lower hinge (right)	U01C40602001	1	UTV
5	Hexagon socket bolt M8 × 25	T03000008003	16	
6	Nut M8	GBT061831003	12	

# HALF DOOR INSTALLATION

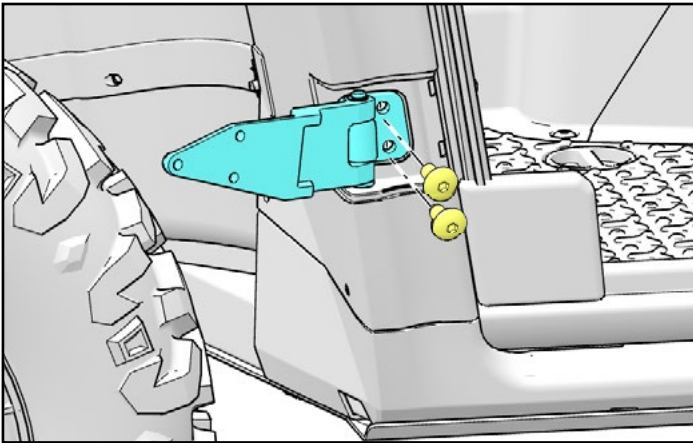
## NOTE

The left and right half doors are installed in the same way.

1. Remove hinge cover at the left (driver's side) front end of the vehicle.



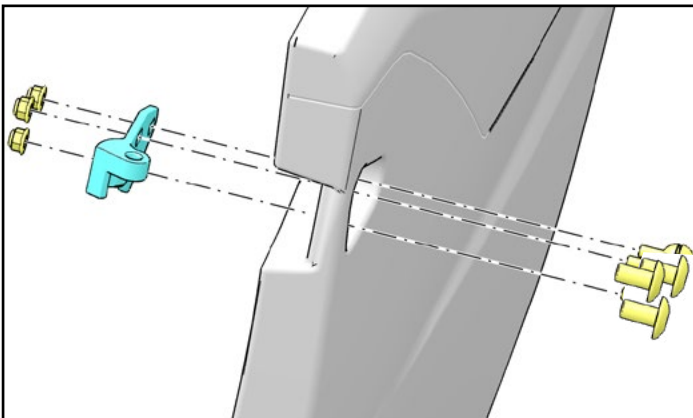
2. Install the lower hinge assembly in the corresponding mounting holes with two (2) M8 x 25 bolts.



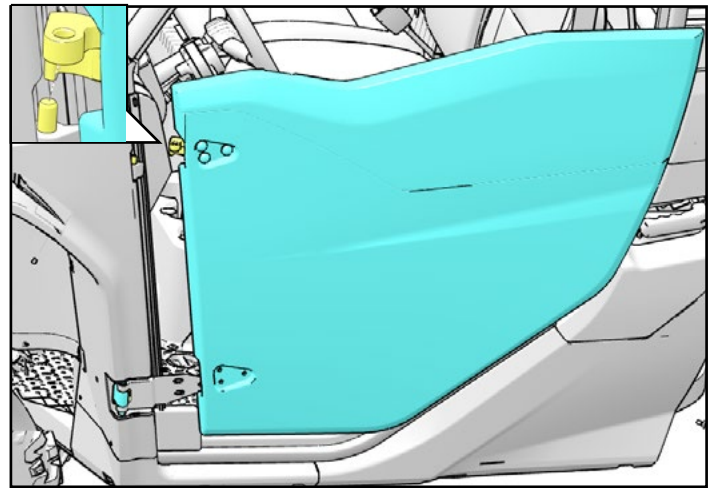
3. Install the upper hinge on the door with three (3) M8 x 25 bolts and three (3) M8 nuts.

## NOTE

Do not fully tighten the bolts yet.



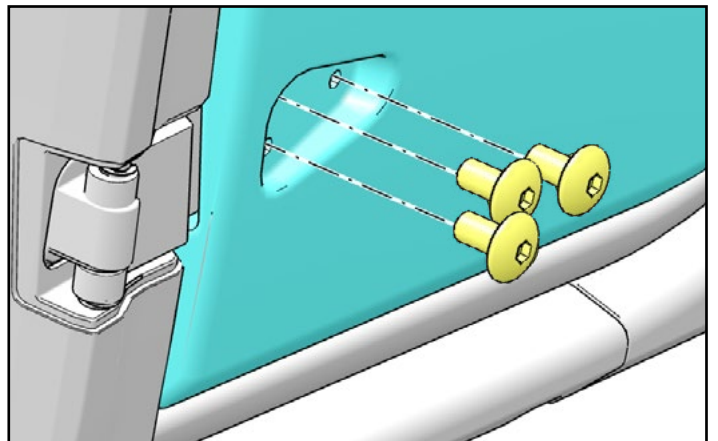
4. Insert the door with the upper hinge installed onto the upper hinge shaft.



5. Align the lower hinge of the door with the three (3) mounting holes of the door, and attach them with three (3) M8 x 25 bolts and three (3) M8 nuts.

## NOTE

Do not fully tighten the bolts yet.



6. Close and lock the door and make any necessary adjustments for proper alignment and operation. Once the door is adjusted and in place, tighten all bolts to spec.

**Torque value : 30 40N·m 3.0~4.0kgf·m 22.1~29.5ft·lb**

